



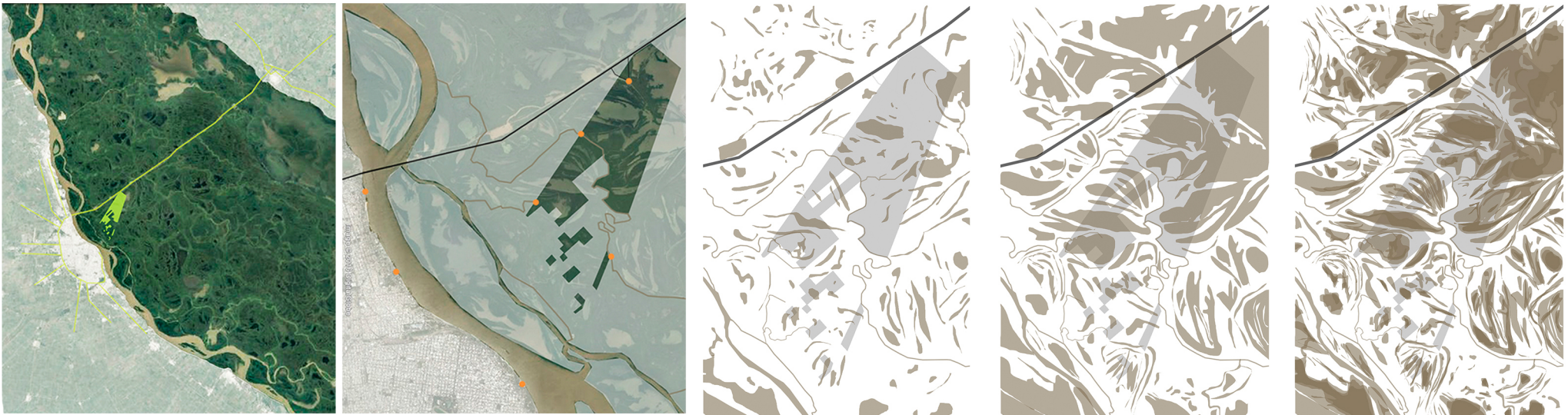
LANDSCAPE FRAGMENTS



LANDSCAPE FRAGMENTS



PRE-EXISTING EDIFICATIONS



LOCALIZATION

MIN. LEVEL 3,30mts

MAX LEVEL 4,50mts

TOPOGRAFIA RESULTANTE

Country / City ARGENTINA - Rosario (Santa Fe)

University / School UNIVERSIDAD NACIONAL DE ROSARIO (UNR) - Facultad de Arquitectura, Planeamiento y Diseño (FAPyD)

Academic year 2017

Title of the project DELIOT LEGACY

Authors Censi, Juan - Muñoz, Adrián - Notz, Micaela - Berreta, Carla - Arrieta, Leandro - Escalante, Marcelo - Tomasín, Juan Manuel - Raggi, Adrián





# PERFORMATIVE NATURE

Barcelona International Landscape Architecture Biennial

September 2018 **Barcelona**

SCHOOL PRIZE

X International Landscape Architecture Biennial

Máster d'Arquitectura del Paisatge -DUOT - UPC

ETSAB- Escola Tècnica Superior

d'Arquitectura de Barcelona

Avenida Diagonal, 649 piso 5

08028 Barcelona-Spain

## TECHNICAL DOSSIER

Title of the project	DELIOT LEGACY
Authors	Censi, Juan - Muñoz, Adrián - Notz, Micaela - Beretta, Carla - Arrieta, Leandro - Escalante, Marcelo - Tomasin, Juan Manuel - Raggi, Adrián
Title of the course	Architectural Project I, II and Final Project
Academic year	2017
Teaching Staff	BAGNASCO, Eddy - Ciccerio, Yanina - Viu, D. - Franco, V. - Lavaroni, L. - Payró, P. - Sipala, P. - Nantes, M. - Aguilera, J. - Burzaglio, A.
Department/Section/Program of belonging	Technic and teory of Architectural Project
University/School	UNIVERSIDAD NACIONAL DE ROSARIO (UNR) - Facultad de Arquitectura, Planeamiento y Diseño (FAPyD)

Written statement, short description of the project in English, no more than 250 words

WETLANDS: measurement of an experience

The project's proposal had its roots in the study and comprehension of the site, of its ecosystem and an involved positioning towards a way of populating it.

The physical and natural characteristics (diversity of ecosystems, variable and diffuse earth/water boundaries), cultural (jobs, customs and interaction with nature) and spatial (native constructions and naturally conformed spaces) are natural to the wetlands of the Paraná River conforming its identity and thus making it a natural landmark that we must preserve.

The central concept of the intervention we propose is to populate the site, so any visitor will become a participant of the experiences offered by this particular landscape, inviting him or her to a close approach not only spatial but corporal.

There are three ways to arrive to the foretold site, one from the north and by land through the national route N174, and two others by water: through the San Marquitos River from the west, and by the Paranacito River from the east.

The trails of the Deliot Legacy have been projected to be by land (on foot or horseback) and by water (kayaking once entered the site). In order to avoid big artificial structures, the trails are signalled by references or milestones (birdwatching areas, meeting points, pre-existing edifications, bridges, kayaking lagoons, etc.) scattered around the place so as to invite the visitors to interact with nature in order to arrive to these points by different ways rather than by following a marked trail.

For further information

**Máster d'Arquitectura del Paisatge -DUOT - UPC**

T: + 34 93 401 64 11 / +34 93 552 0842

Contact via email at: [biennial.paisatge@upc.edu](mailto:biennial.paisatge@upc.edu)

Consult the web page <http://landscape.coac.net/>

Wood strips 10cm x 10cm section.  
Waterproof, fretted and bolted in the joints.  
Interior reticulated system.

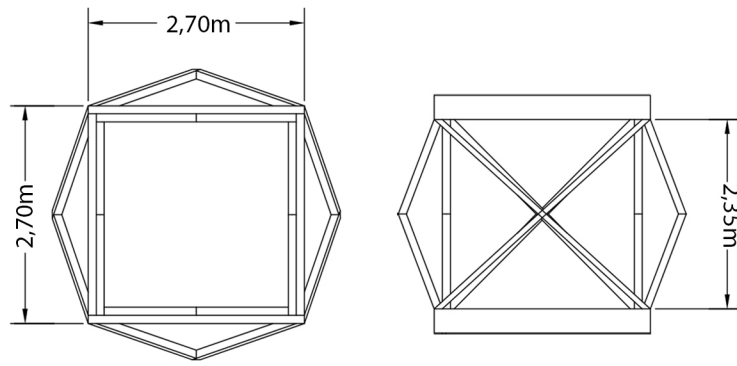
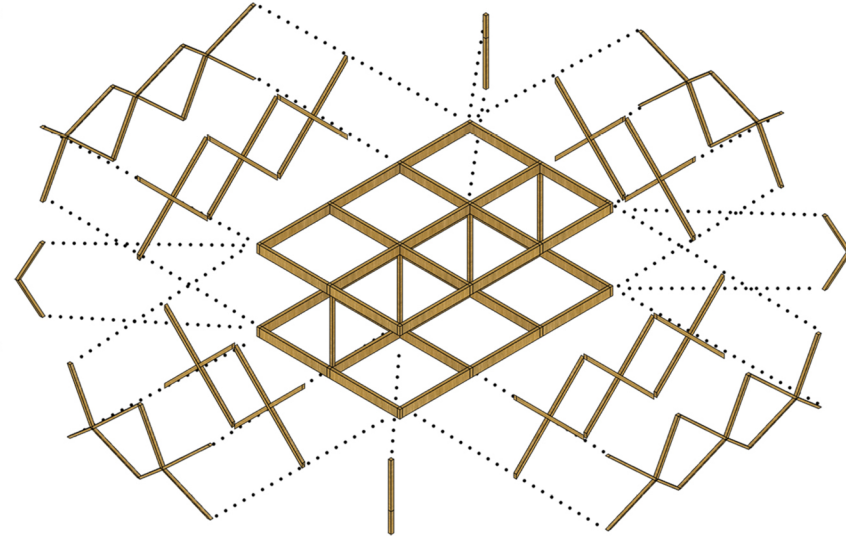


Diagram plans and view - Scale 1/100

Wood beams, section 15cms x 30cms, waterproof brushed.



DISSASSEMBLED VIEW

Wood beams, section 15cms x 30cms, waterproof brushed.

Wood strips 10cm x 10cm section.  
Waterproof, fretted and bolted in the joints.  
Structural reticulated system.

Wood strips 10cm x 10cm section.  
Waterproof, fretted and bolted in the joints.  
Exterior reticulated system.

STRUCTURAL MODULE. BASIC UNIT.

AXONOMETRIC VIEW



# SWOT MATRIX

## WEAKNESS

- Hard traffic
- Roads and meeting point absence.
- Irregular and unstable territory.

## THREAT

- Land usurp
- Farming and livestock exploitation with negative impacts in the natural eco-system. (embankment, agrochemical abuse, land erosion).

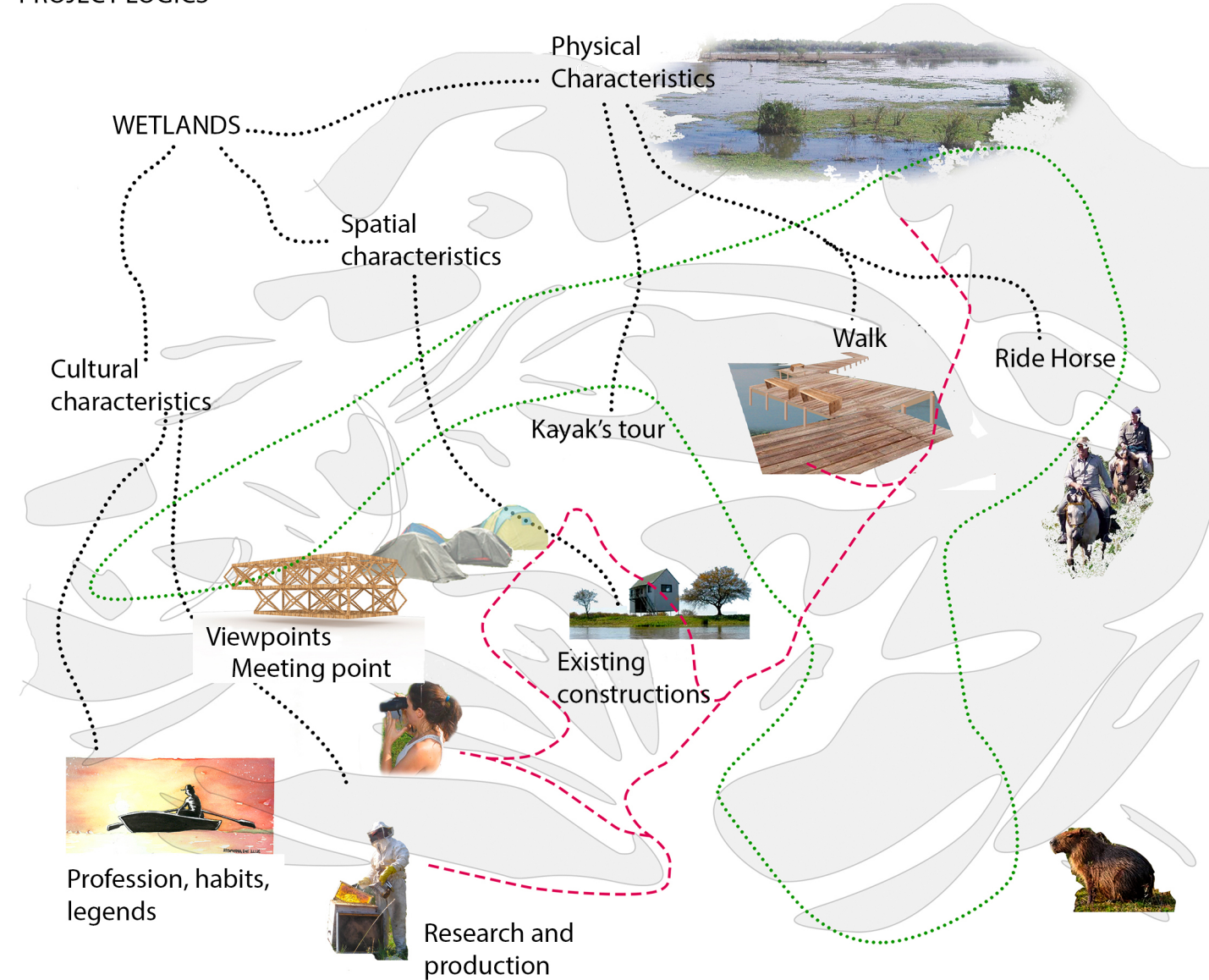
## STRENGTH

- Diversity of species and natural eco-system.
- Extensive territory.
- Accessibility from Rosario-Victoria bridge and Paraná River.
- Water course cross.
- Apiculture.

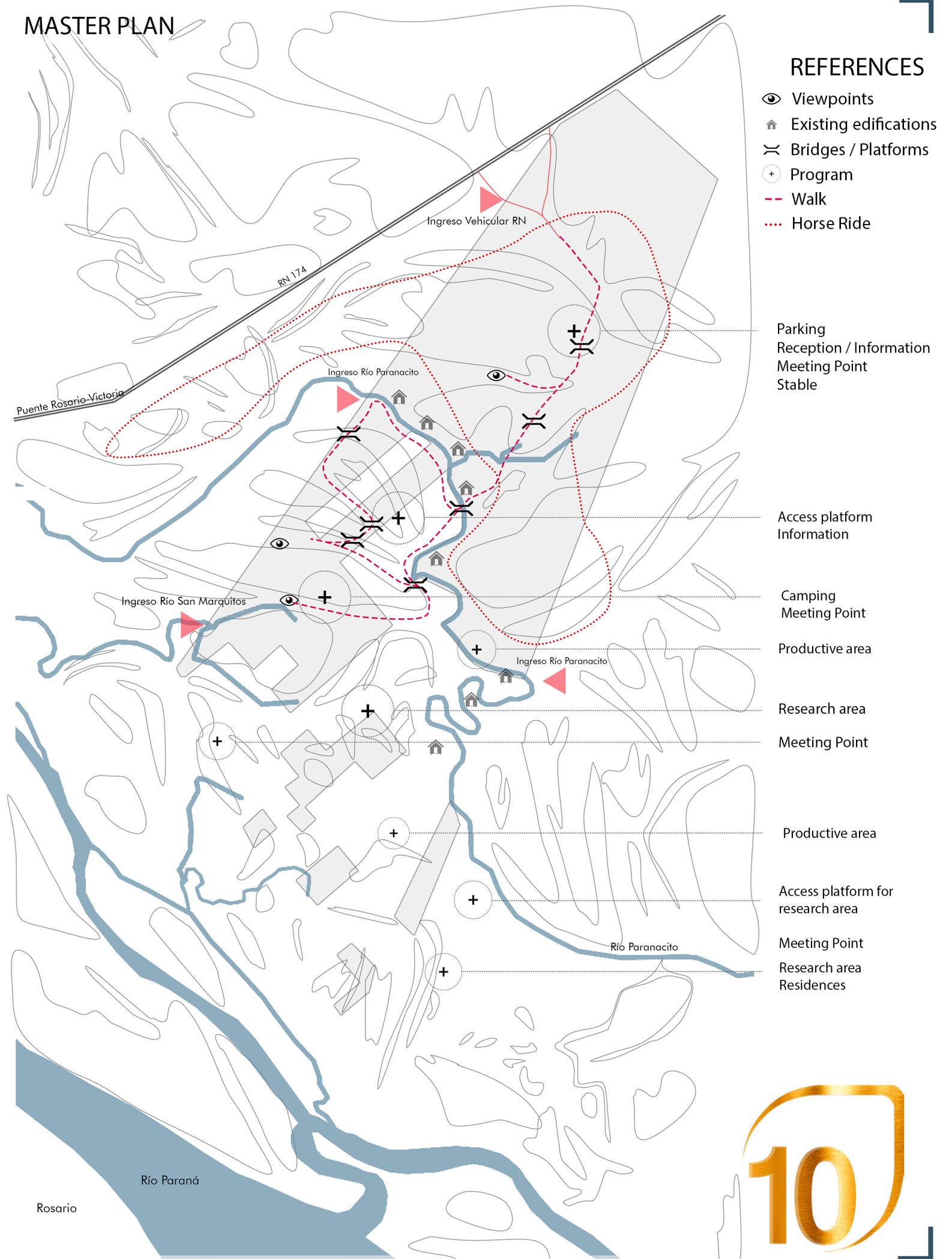
## OPORTUNITIES

- Make visible the oportunities and relevance of natural eco-system provides.
- Public space and nature tourism, recreation and contact.
- Education and preservation of eco-system.
- Cientific research work.

# PROJECT LOGICS



# MASTER PLAN



# REFERENCES

- Viewpoints
- Existing edifications
- Bridges / Platforms
- Program
- Walk
- Horse Ride

